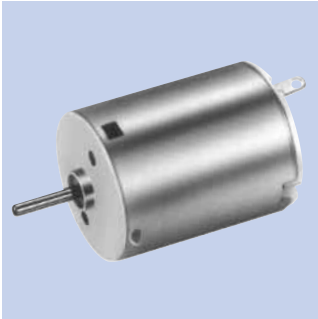


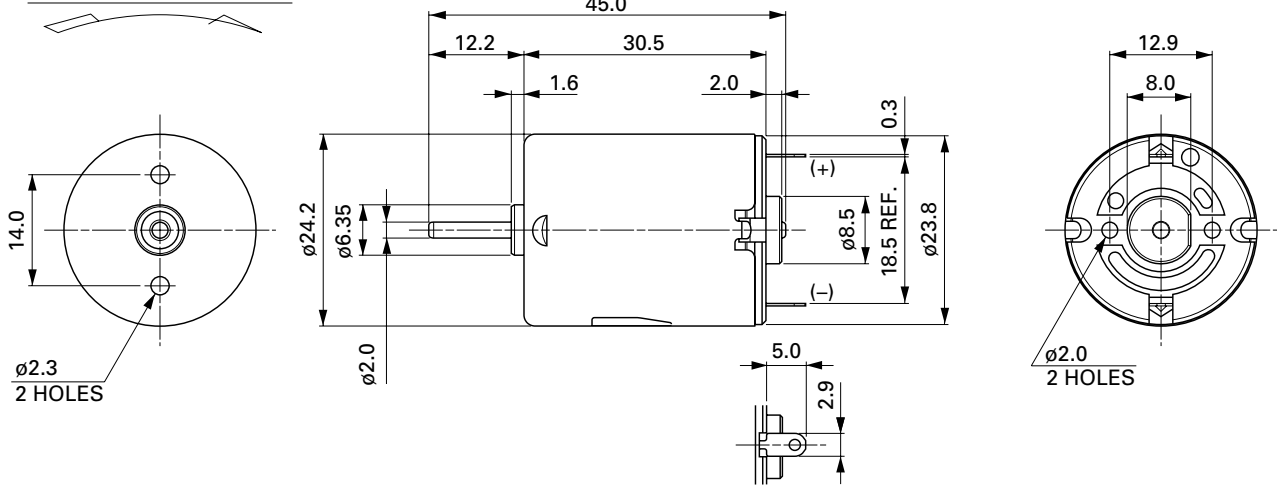
**Typical Applications** Household Appliances : Hair Clipper / Massager / Vibrator  
Toys and Models : Motorized Toy / Radio Control Model



MODEL	VOLTAGE		NO LOAD		AT MAXIMUM EFFICIENCY					STALL		
	OPERATING RANGE	NOMINAL	SPEED	CURRENT	SPEED	CURRENT	TORQUE		OUTPUT	TORQUE		CURRENT
			r/min	A	r/min	A	mN-m	g-cm	W	mN-m	g-cm	A
RC-280RA-2865	4.5 ~ 6.0	4.5V CONSTANT	13600	0.27	11350	1.36	2.92	29.8	3.47	17.7	180	6.90
RC-280RA-20120	4.5 ~ 9.0	4.5V CONSTANT	7500	0.11	6110	0.48	1.91	19.4	1.22	10.3	105	2.13
		6V CONSTANT	9900	0.12	8210	0.58	2.26	23.0	1.94	13.2	135	2.82
RC-280RA-2485	4.5 ~ 8.4	7.2V CONSTANT	16800	0.21	14260	1.18	3.27	33.3	4.87	21.6	220	6.60
RC-280SA-2865	4.5 ~ 9.0	6V CONSTANT	14000	0.28	11910	1.60	4.46	45.5	5.56	29.9	305	9.10
RC-280SA-20120	4.5 ~ 12.0	6V CONSTANT	7700	0.12	6390	0.58	2.93	29.9	1.96	17.2	175	2.85
		12V CONSTANT	15500	0.15	13320	0.92	4.68	47.7	6.52	33.3	340	5.60
RC-280SA-2485	4.5 ~ 9.6	7.5 V CONSTANT	13300	0.19	11350	1.10	4.25	43.3	5.04	28.9	295	6.40

UNIT: MILLIMETERS

**DIRECTION OF ROTATION**



WEIGHT: 42g (APPROX)

**RC-280RA-2865**

4.5V

**RC-280SA-2865**

6.0V

